

JEDEC  
SOLID STATE  
PRODUCT OUTLINE

THIS *REGISTERED OUTLINE* HAS BEEN PREPARED BY THE JEDEC JC-11 COMMITTEE AND REFLECTS A PRODUCT WITH ANTICIPATED USAGE IN THE ELECTRONICS INDUSTRY; CHANGES ARE LIKELY TO OCCUR.

TITLE PLASTIC FLANGE MOUNTED  
PACKAGE, 3 LEADS

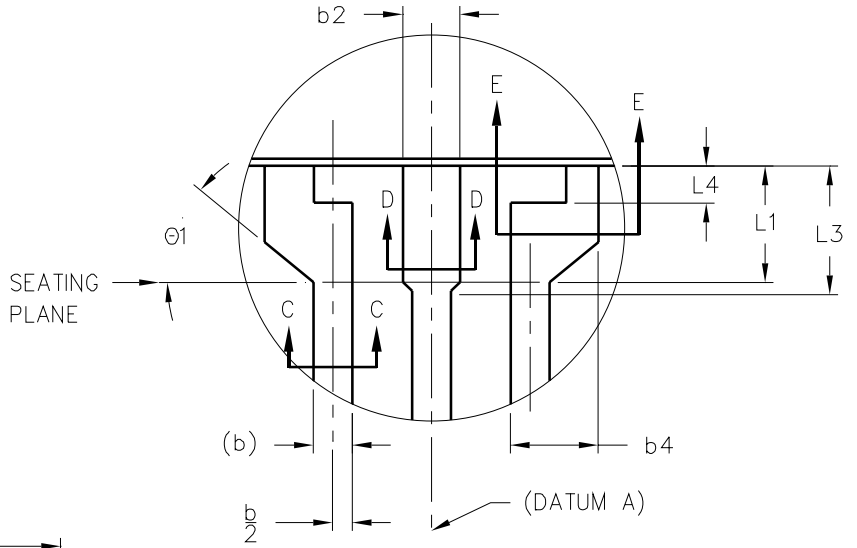
PACKAGE DESIGNATOR  
R-PSIP-F3

ISSUE  
A

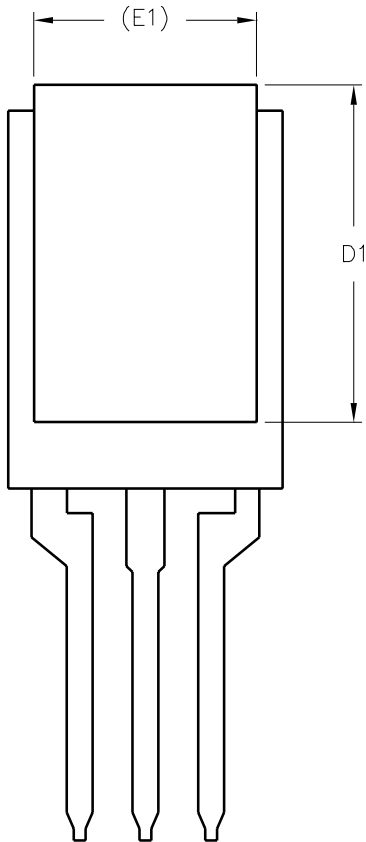
DATE  
8/99

TO-273

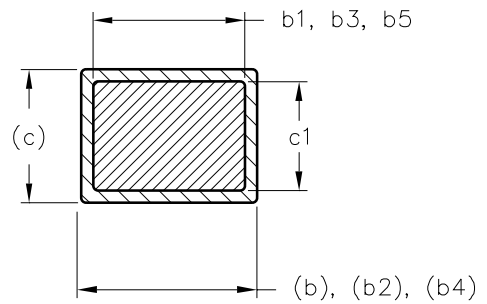
SHEET  
1 OF 3



VIEW "B"



VIEW A-A



SECTION C-C & D-D & E-E  $\triangle 2$

JEDEC SOLID STATE PRODUCT OUTLINE	TITLE PLASTIC FLANGE MOUNTED PACKAGE, 3 LEADS	ISSUE A	DATE 8/99	SHEET 2 OF 3
---	---	------------	--------------	-----------------

NOTES:

1. DIMENSIONING AND TOLERANCING PER ASME Y14.5M-1994.

2. DIMENSIONS b1, b3, b5 AND c1 APPLY TO BASE METAL ONLY.

3. DIMENSION D AND E DO NOT INCLUDE MOLD FLASH. MOLD FLASH SHALL NOT EXCEED 0.13 MILLIMETERS PER SIDE. THESE DIMENSIONS ARE MEASURED AT THE OUTERMOST EXTREMES OF THE PLASTIC BODY.

4. ALL DIMENSIONS SHOWN IN MILLIMETERS.

SYMBOL	VARIATIONS			
	AA			
	MIN	NOM	MAX	NOTES
A	4.00	4.50	5.00	
A1	0.50	-	1.00	
A2	2.50	-	3.00	
b	0.90	1.00	1.30	
b1	0.80	1.00	1.10	2
b2	1.25	-	1.65	
b3	1.10	-	1.55	2
b4	2.35	2.45	2.55	
b5	2.30	2.45	2.50	2
c	0.70	-	1.00	
c1	0.60	0.80	0.90	2
D	14.00	14.50	15.00	3
D1	12.50	13.00	13.50	
E	10.00	10.50	11.00	3
E1	8.00	8.50	9.00	
e	2.55 BASIC			
L	13.00	13.50	14.50	
L1	3.00	-	3.50	
L2	0.50	1.00	1.50	
L3	3.50	-	4.00	
L4	-	-	1.50	
Ø	42.5°	45°	47.5°	
Ø1	-	-	42.5°	

NOTE 1, 4

REF. 10-389

ISSUE A

JEDEC SOLID STATE PRODUCT OUTLINE	TITLE PLASTIC FLANGE MOUNTED PACKAGE, 3 LEADS	ISSUE A	DATE 8/99	T0-273	SHEET 3 OF 3
---	---	------------	--------------	--------	-----------------